

# MAX HD4

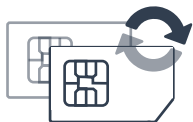
## Quad 4G LTE Mobile Router

**PEPWAVE**  
Broadband Possibilities



### Quad 4G LTE Mobile Router

The MAX HD4 delivers outstanding performance from all your connections with the help of SpeedFusion bandwidth bonding and intelligent load balancing.



#### Quad Embedded Cellular and Redundant SIM Slots

Quad Cellular Modems and Redundant SIM slots allow you to use up to four different cellular providers for bandwidth bonding, data overage protection or eliminating blind spots.



#### Fleet Tracking and Management

With built-in GPS fleet tracking and InControl 2 cloud-based management, you can keep tabs on location and manage your mobile network from any Internet-connected device.



#### Terminal Block for Secure Power Supply

The MAX HD4 is equipped with a terminal block for secure installation in vehicles and other locations.



#### SpeedFusion Bandwidth Bonding and Seamless Failover

SpeedFusion bandwidth bonding technology bonds all connected bandwidth into a single superfast stream, using the same or different cellular providers.



#### Customize Captive Portal

Branding your captive portal is as easy as uploading your logo and terms & conditions. You can easily set bandwidth allowance and access duration per user or manage access using RADIUS server.

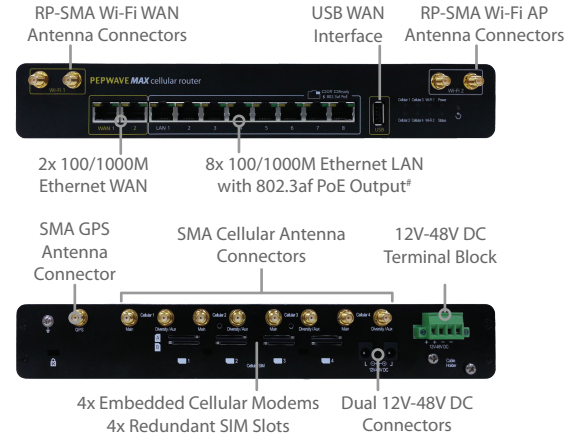


#### Certified Toughness

In addition to rugged metal enclosure, the MAX HD4 has certifications on: Shock and vibration resistance (EN 61373:1999, IEC 61373:1999) Railway applications (EN 50155) Electromagnetic Compatibility (EN 61000)

# Specifications

MAX HD4	
WAN Interface	1x USB Interface 2x GE 4x Embedded LTE Modems with Redundant SIM Slots
LAN Interface	8x GE
Wi-Fi Interface	802.11a/b/g/n 300Mbps 2x2 MIMO Wi-Fi WAN and/or AP
Router Throughput	300Mbps
Cellular and GPS Antenna Connector	8x SMA Antenna Connectors 1x SMA GPS Antenna Connector 4x RP-SMA Wi-Fi Antenna Connectors
Power Input	DC Jack/Terminal Block: 12V - 48V, 4A
Power Output	Up to Eight 802.3af PoE Outputs*
Power Consumption	38W (max.)
Dimensions	2.0 x 11.5 x 7.0 inches 50 x 292 x 177 mm
Weight	4.20 pounds 1.9 kg
Operating Temperature	-40° - 149°F -40° - 65°C
Humidity	15% - 95% (non-condensing)
Certifications	FCC, CE, RoHS, E-Mark Shock and Vibration Resistance: EN 61373:1999 IEC 61373:1999 Railway Applications: EN 50155 Electromagnetic Compatibility: EN 61000
Warranty	1-Year Limited Warranty



\*PoE Activation Kit is available separately.

## Ordering Information

Product Code	Carrier	Embedded Modem	4G Bands/Frequencies (MHz)	3G Bands/Frequencies (MHz)
MAX-HD4-LTE-US-T	Verizon/AT&T/T-Mobile	4	4G LTE: B2/1900, B4/AWS (XLTE), B5/850, B13/700, B17/700, B25/1900	WCDMA/HSPA+/DC-HSPA+: B1/2100, B2/1900, B4/AWS, B5/850, B8/900 EV-DO Rev.A: BC0/800, BC1/1900, BC10/800
MAX-HD4-LTE-E-T	Europe/International	4	4G LTE: B1/2100, B3/1800, B7/2600, B8/900, B20/800	WCDMA/HSPA+/DC-HSPA+: B1/2100, B2/1900, B5/850, B6/800, B8/900

MAX HD4 - PoE Activation Kit

Product Code	Description
ACW-609	Includes 1x 48V Power Supply and PoE License Enables 4x 802.3af PoE Output Ports Requires 2x ACW-609 to enable all PoE ports

## Features

### WAN

Support for PPPoE, Static IP, DHCP  
WAN Link Health Check  
Bandwidth Allowance Monitor  
USB 4G/3G Modem Support  
IPv6 Support  
Support for Dynamic DNS services

### LAN

DHCP Server for LAN Clients  
Extended DHCP Options  
DHCP Reservation  
DNS Proxy for LAN Clients  
VLAN on LAN Support

### Global Positioning System

Integrated GPS  
Device Location Map  
Location Tracking Data  
GPS eXchange Format (GPX)  
Up to Seven Days  
Fleet Management with InControl 2

### Networking

NAT and IP Forwarding  
Static Routes  
Port Forwarding  
Many to One, One to One NAT  
NAT Pool  
SIP ALG, H.323 ALG  
UPnP, NAT-PMP  
WINS Server  
VRRP HA support

### Load Balancing

Intelligent Failover  
Session Persistence  
Per-Service Load Distribution  
Multiple Algorithms  
Weighted  
Enforced  
Persistence  
Priority  
Overflow  
Least Used  
Lowest Latency

### Captive Portal Support

Support for Wired and Wireless LAN Clients  
Support for RADIUS Authentication  
Time and Usage Quotas on Open Access Mode  
Built-in Customizable Splash Page

### Complete VPN Solution

PepVPN/SpeedFusion Hot Failover  
/SpeedFusion Bandwidth Bonding  
Site-to-Site VPN  
Bandwidth Bonding  
Hot Failover  
256-bit AES Encryption  
Pre-shared Key Authentication  
Dynamic Routing  
X.509 Certificate Support  
PPTP VPN Server  
RADIUS, LDAP Authentication  
IPsec VPN (Network-to-Network)  
X.509 Certificate Support

### Security

Stateful Firewall  
DoS Prevention  
Web Blocking

### AP Controller

AP Controller Support  
Wi-Fi Usage Statistics

### Device Management

Web Administrative Interface  
Command Line Interface  
InControl Cloud Management  
Email Notification  
Active Client & Session Lists  
Bandwidth Usage Statistics  
Syslog Service  
SNMP v1, v2c and v3

### Package Content

MAX HD4  
12V4A Power Supply  
4x Dual Band Wi-Fi Antennas  
1x GPS Active Antenna  
8x 2dBi 4G LTE Antennas  
1 Pair of Mounting Brackets