

# SEA TEL 9711 IMA SYSTEMS WITH C/KU SWITCHABLE FEEDS

3-axis marine stabilized antenna system compatible with C, Ku and X-band satellites

# COBHAM

Product Sheet

The most important thing we build is trust

**The Sea Tel 9711 IMA (Integrated Maritime Antenna) System combines a C-band circular/linear Switchable Feed as well as a Ku-band cross/copol switchable feed with sub-reflector. The combination allows switching from C-band operation to Ku-band operation electronically and eliminates the need to manually change the feed. The Ku-band sub-reflector has been designed to optimize the RF performance of the 2.4 meter antenna. This patented state-of-the-art design is second to none when it comes to RF performance.**

## Tx/Rx All-In-One Antenna

The Sea Tel 9711 IMA features a 2.4 meter radical offset antenna for both the C-band and Ku-band operation. This offset design provides the most efficient 2.4 meter antenna in the market today. Software has been specially designed to switch from C to Ku-band operation in a matter of seconds

## Easy Automation

By eliminating the need to manually change feeds when switching between bands, the Sea Tel 9711 IMA is incredibly cost effective. A technician is no longer required to be dispatched for making configuration changes, eliminating offline time for a vessel while switching between networks.

## Seamless Operation

The Sea Tel 9711 IMA system is fully compatible with OpenAmip and ABS technology. By combining multiple option files in a single modem, the user can make near seamless transitions from C band circular A Pol to B Pol, C-band linear, and Ku-band satellites.

## State-of-the-art Platform

The Sea Tel 9711 IMA Systems utilize the IMA architecture currently used on our XX12 series products. It features an Integrated Control Unit (ICU) that offers a single box electronic control solution to maintain the best and most efficient pointing accuracy. With its extended web based secured user interface, built-in remote management capabilities, it offers easy integration into network management systems through its Media Xchange Point (MXP)

## Secure Solution

The web user interface, accessible from practically any internet enabled device, including mobile devices, features Secured Socket Layer (SSL) password protection and multi-level data analysis capability for ease of use and added security. The Sea Tel 9711 IMA systems with C/Ku switchable feeds are the cutting edge, top-of-the-line solutions for your top performance maritime communication needs.



## SEA TEL 9711 IMA SYSTEMS WITH C/KU SWITCHABLE FEEDS

3-axis marine stabilized antenna system compatible with C, Ku and X-band satellites

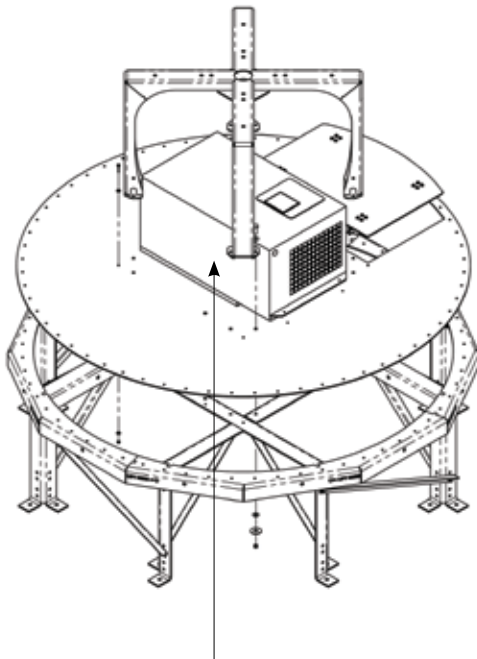
### Typical Data for the Sea Tel 9711 IMA

#### SYSTEM CHARACTERISTICS

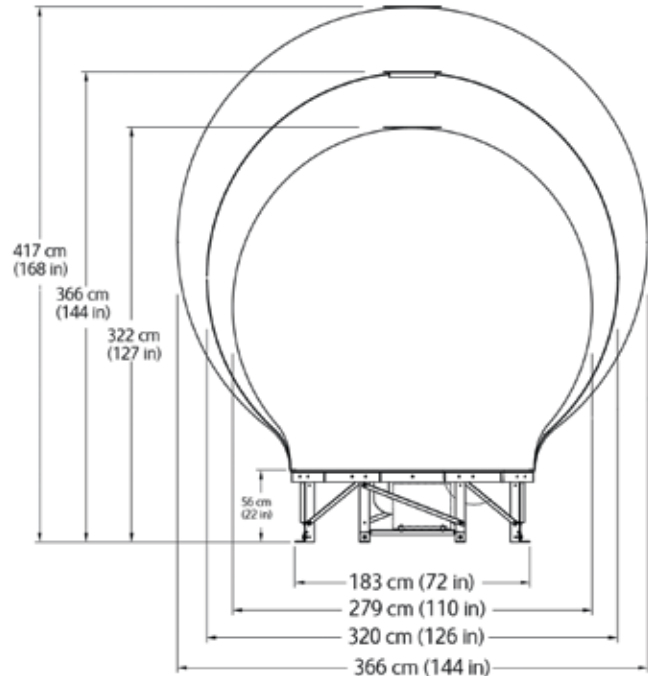
Radome	366 cm (144 in) typical; 427 cm (168 in) optional	
Pedestal Type	3-axis: azimuth, elevation, and cross level	
Specifications	MIL STD 167-1	
Response Rate	>100°/sec	
Stabilization Accuracy	0.1°	
Ship's Motion	+/- 25° roll, +/- 25° pitch	
	<b>C-BAND</b>	<b>KU-BAND</b>
Antenna	2.4 m (94 in) offset	2.4 m (94 in) utilizing a sub-reflector
Feed Assembly	C-Band circular/linear selectable	Ku-Band linear polarized (XP, Copol)
Frequency Range	Rx: 3.4 to 4.2 GHz Tx: 5.850 to 6.725 GHz	Rx: 10.7 to 12.75 GHz Tx: 13.75-14.5 GHz
Tx Gain	41.7 dBi @ 6.18 GHz	49.3 dBi @ 14.25 GHz
Rx Gain	38.5 dBi @ 3.95 GHz	47.3 dBi @ 11.7 GHz
System G/T	19.0 dB/K @ 3.95 GHz	27.0 dB/k @ 11.7 GHz
Elevation Range	-15° to +100°	-15° to +100°
Azimuth Range	Unlimited	Unlimited

### Typical Data for Media Xchange Point (MXP)

- Standard 19 inch 1U Rack Mount. (Slide Rails Optional)
- 43 x 43 x 4.35 cm / 17 x 17 x 1.75 in
- 110/220VAC, 47-63 Hz, Single Phase
- 3.0 kgs / 6.6 lbs
- 4 Ethernet Ports
- 1 SMA connector (Rx from RJ)
- 1 F connector (RJ to diplexer)
- 8 status LED's
- USB device (Mini B)
- 2 RS-232 pass through ports
- 1 NMEA RS-232 serial port
- 1 RS-232 console port
- SBS & Synchro gyro inputs
- Aux 1N1 & Aux 1N2
- SW1,SW2,SW3,SW3A,SW4,SW4A (I/O)



Air conditioner (optional)



For further information please contact:

[www.satcom.ohc@cobham.com](mailto:www.satcom.ohc@cobham.com)